

TOPCAT[®] K3

Drw.No. 500 K3

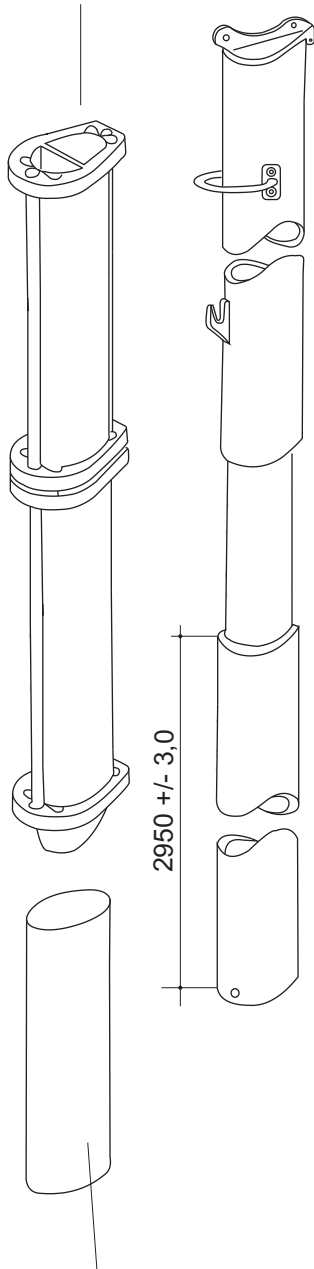


Measurement

ITCA International Topcat
Class Association

Stand:01.01.2013

Optional Mastteilung



2950 +/- 3,0

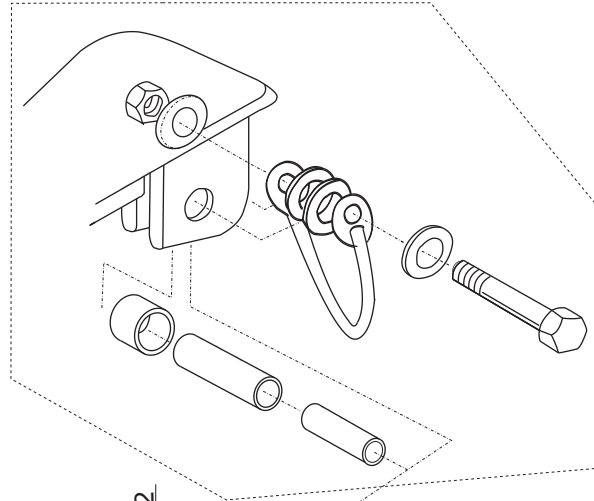
7600 +/- 10,0

5100 +/- 3,0

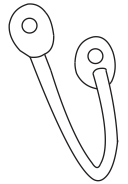
ø 16

700 150

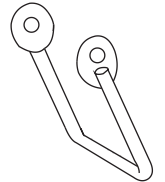
13 60 22



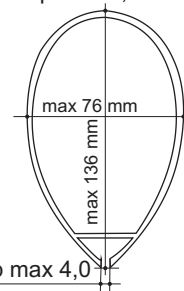
Fallschwinge neu



Fallschwinge alt



Mastprofile 2,179 kg/m



Keep max 4,0

Sagex Polystyrene Kern
Polystyrene foam core